

Bourdon Tube Pressure Gauges Ultra High Purity (UHP) Series Type 230.15 with Alarm Contact 851.3

FLUIDIX Datasheet 230.15 w/Alarm Contact 851.3

Applications

- Semiconductor and electronic industry, medical industry, gene technology, biotechnology and pharmaceutical industries.
- Suitable for corrosive environments and gaseous or liquid media that will not obstruct the pressure system
- Where measurement of high purity gases is needed without contamination of the process media.

Special features

- Electrical contact (Reed Switch)
- 316L wetted parts
- Electro-polished SS case & face-seal connection
- Positive and compound pressure ranges to 10,000 psi

Standard Features

Design

ASME B40.100

Size

2" (53 mm)

Accuracy Class

± 2/1/2% of span (ASME B40.100 Grade A)

Ranges

Vacuum / compound to 30"Hg/0/200 psi

Pressure from 0 psi up to 10,000 psi

or other equivalent units of pressure or vacuum

60 psi minimum span

Working Pressure

Steady: 3/4 scale value

Fluctuating: 2/3 full scale value

Short time: full scale value

Operating Temperature

Ambient: -40°F to +140°F (-40°C to +60°C)

Medium: +212°F (+100°C) maximum

Temperature Error

Additional error when temperature changes from reference temperature of 68°F (20°C) ±0.4% for every 18°F (10°C) rising or falling. Percentage of span.



Bourdon Tube Pressure Gauge Model 230.15 2" with Reed Contact

Weather Protection

Weather resistant (NEMA 3 / IP 54)

Pressure Connection

Material: Face-seal nut 316 stainless steel

Face-seal gland 316L

Position: Lower mount (LM)

Center back mount (CBM)

Type of Connection: Face-seal fixed male

Swivel male or female

Wetted Surface Finish: $R_a < 0.25\mu\text{m}$ ($R_a < 10\mu\text{inch}$)-internal

Pressure Connection Option, NPT

Material: 316L stainless steel

Position: Lower mount (LM) & center back mount (CBM)

Type of connection: 1/4" NPT - male

Wetted surface finish: $R_a < 1.0\mu\text{m}$ ($R_a < 40\mu\text{inch}$)-internal

Bourdon Tube

Material: 316L stainless steel

30"Hg (vac) to 1,000 psi, C-type

1,500 to 10,000 psi, helical type

Helium leak tested 1×10^{-9} scc/sec (inboard)

Socket

Material: 316L stainless steel

$R_a < 0.5\mu\text{m}$ ($R_a < 20\mu\text{inch}$) - internal

Movement

Stainless steel

(Standard Features continued on Page 2 of 4)

Dial

White aluminum with stop pin and black lettering

Pointer

Black aluminum

Case

304 stainless steel, electropolished

Window

Polycarbonate: twist-lock

Alarm contact

- Reed contact Model 851.3; The switching function is identified by the index '3'. 851.3 = SPDT contact
- Setting the switching point
In order to adjust the switching point, the gauge should be disconnected from the monitoring device and the window unscrewed.
The switches are set via the mark pointer on the dial's circumference. The set value of the switching point is adjustable up to 80 % of the scale range.

■ Electrical load

Max. switching voltage: 24 VDC / VAC

Max. load: 10 W

Max. current: 0.5 A

■ Electrical connection with cable gland

M8 x 1.25, cable output 3 m long (10 feet), conductor cross section 0.14 mm² (26 AWG), flying leads, the terminal assignment is stated on the pressure gauge's connection plate

Cleanliness

UHP 'clean' for semiconductor gas applications - in accordance with SEMI/SEMATECH

Cleaned and packed in class 100/10 cleanroom

Packaged in two bags

Purged with Nitrogen

Protective cap over threaded connection

Order Options (minimum order may apply)

Other special connections limited to wrench flat area

Custom dial layout

Stainless steel restrictor

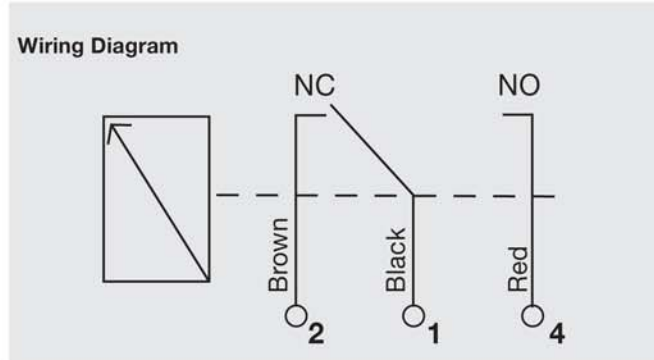
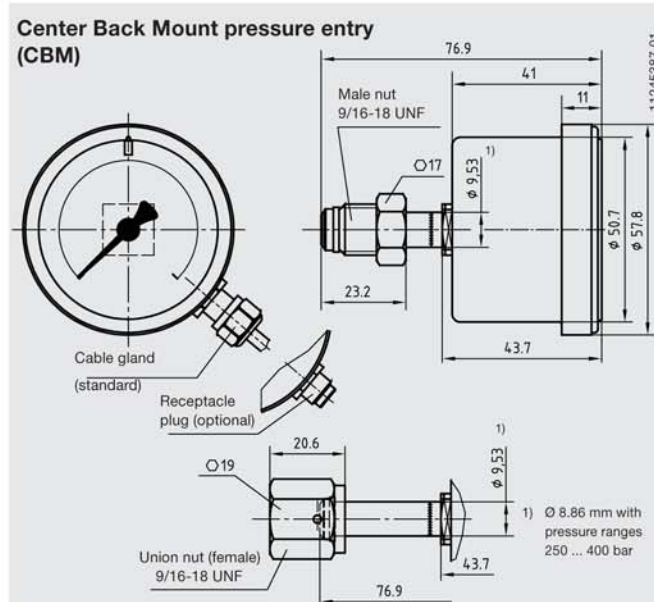
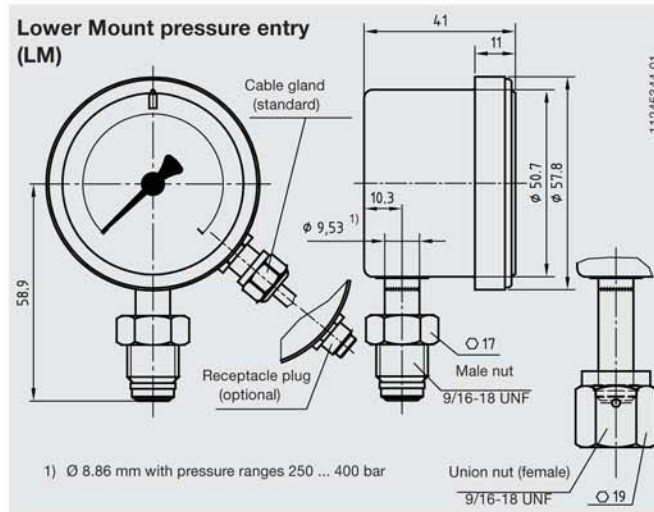
Particle test with certificate

Dual pressure scales

Additional process wetted materials available per request

Electrical connection with receptacle plug (binder plug M8 x 1)

Standard version



Case	304 stainless steel, electropolished
Wetted Material	316L stainless steel, electropolished
Window	Polycarbonate
Dial	Aluminum, white with stop pin
Pointer	Aluminum black
Accuracy	+/- 2/1/2% of span (ASME B40.1 Grade A)
Cleanliness	UHP 'clean' for semiconductor gas applications - in accordance with SEMI/SEMATECH
Packaging	Double plastic bagged, nitrogen purged

Code		Features
		Nominal Size, Case
1	B	2.0" (50mm)
		Unit, Primary Scale
	P	psi
	B	Bar
	L	kPa
	E	MPa
2	K	Kg/cm2
	?	other - please specify
		Range
	V340	-30 inHg...45 psi
	V352	-30 inHg...60 psi
	V379	-30 inHg...100 psi
	V412	-30 inHg...160 psi
	V415	-30 inHg...200 psi
	V422	-30 inHg...300 psi
	G341	0 psi...60 psi
	G369	0 psi...100 psi
	G411	0 psi...160 psi
	G414	0 psi...200 psi
	G421	0 psi...300 psi
	G428	0 psi...400 psi
	G441	0 psi...600 psi
	G455	0 psi...800 psi
	G469	0 psi...1000 psi
	G510	0 psi...1500 psi
	G514	0 psi...2000 psi
	G521	0 psi...3000 psi
	G528	0 psi...4000 psi
	G541	0 psi...6000 psi
	G569	0 psi...10000 psi
3	???	Other - Please Specify (psi)
		Unit, Secondary Scale
	Z	Without
	P	psi
	B	Bar
	L	kPa
	E	MPa
	K	Kg/cm2
4	?	other - please specify

	Process connection	
	WH	1/4" Face Seal Male Swivel (FSM)
	WI	1/4" Face Seal Swivel Female (FSF)
	WG	1/4" Face Seal Fixed Male (FSFM)
	WK	1/2" Face Seal Male Swivel
	WL	1/2" Face Seal Female Swivel
	NB	1/4" NPT-male (NPTM)
	VN	1/4" Weld Stub
	WN	3/8" "T"-Connector
5	???	Other-Please Specify
	Connector position	
	B	Center Back Mount
	U	Lower Mount
6	?	other - please specify!
	Mounting Flange/Bracket	
	Z	Without
7	?	other - please specify
	Switch Type	
8	R	Reed (2" Case Only)
	Switch Function	
9	3	Single Pole Changeover
	Electrical Connection	
	DA	Flying Leads
	M4	Receptacle Plug, M8x1 Binder Plug
10	?	Other - Please Specify
	Quality certificates	
	Z	without
11	?	other - please specify
	Additional order details	
	Z	without
12	T	additional text

Order Code:

1 2 3 4 5 6 7 8 9 10 11 12
 230.15 - - - - - -

Ordering information

Pressure gauge model / Nominal size / Scale range / Size and location of connection / Optional extras required

Modifications may take place and materials specified may be replaced by others without prior notice.
 Specifications and dimensions given in this leaflet represent the state of engineering at the time of printing.



Fluidix, Inc.
 1442 Mammoth Rd.
 P.O. Box 1807
 Mammoth Lakes, CA 93546-1807
 Sales: (760) 935-2016
 www.fluidixinc.com